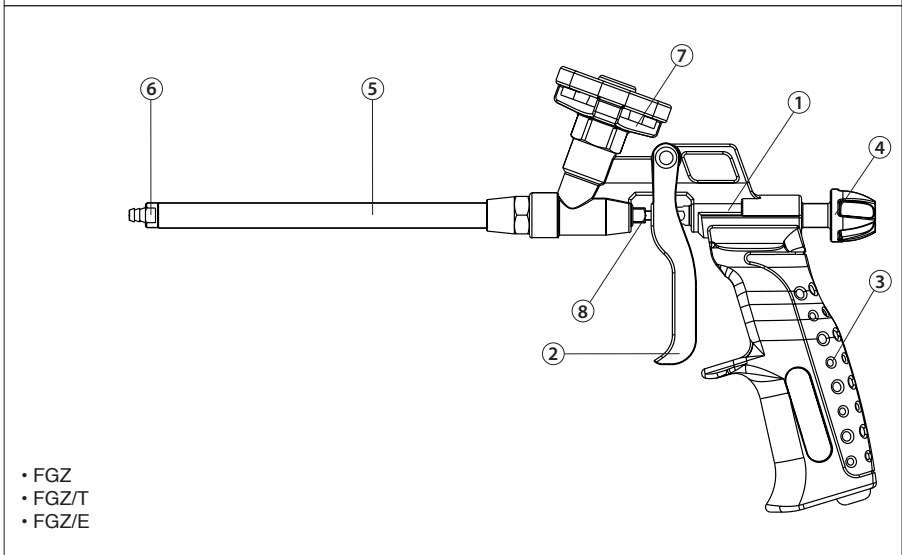
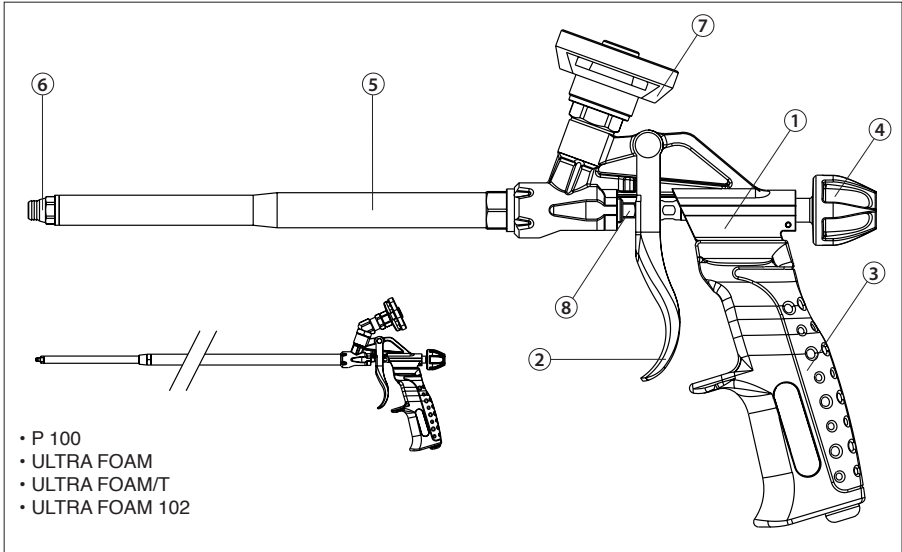


USER'S MANUAL
FOAM GUNS

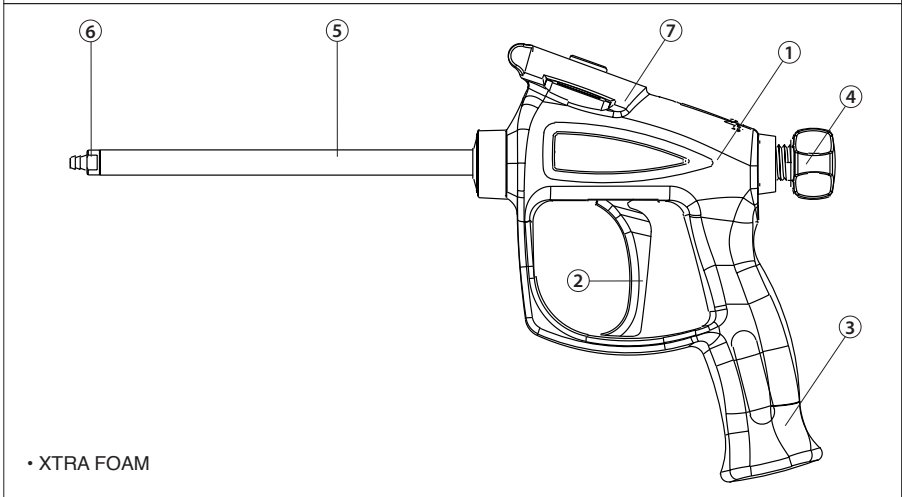
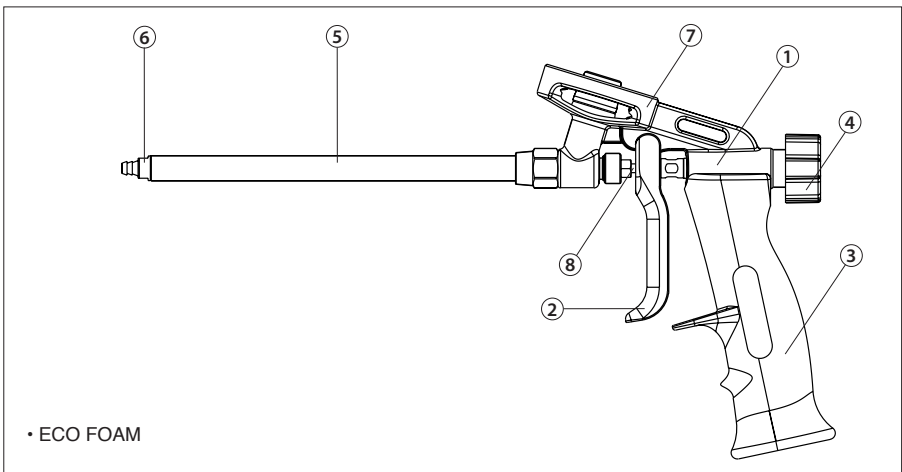
ENGLISH

FOAM GUNS

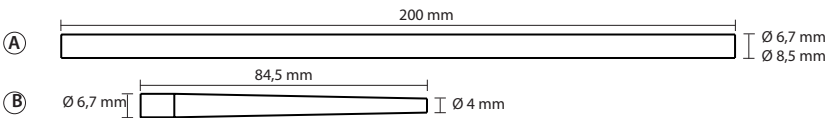


EN See key on page 9, point 1 - PRODUCT IDENTIFICATION

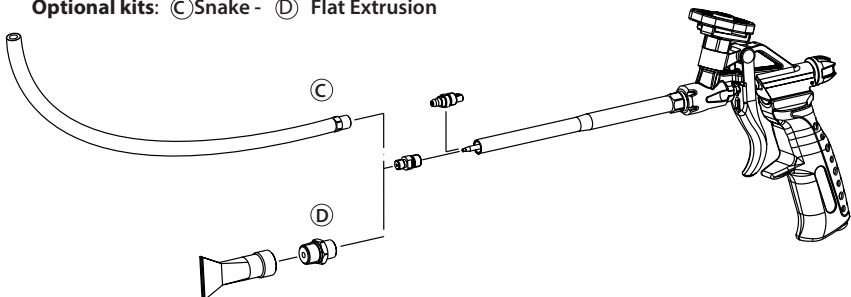
The images must be considered as illustrative guidelines only, applicable to the specified models.

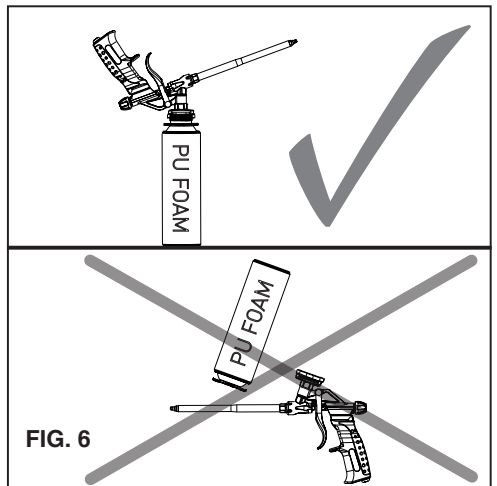
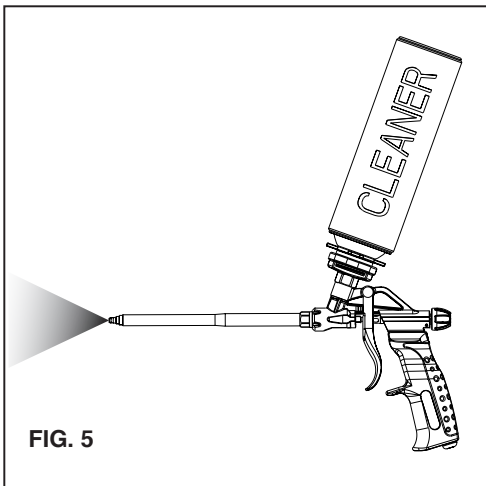
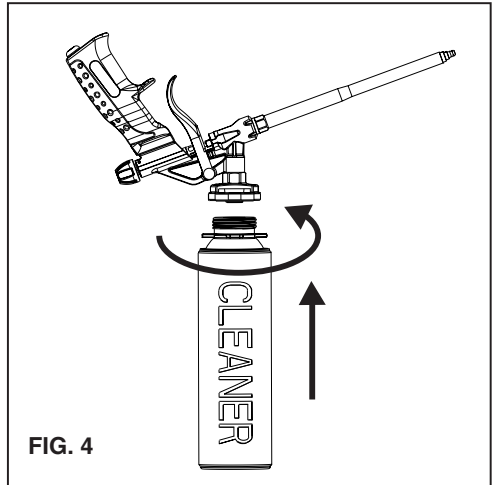
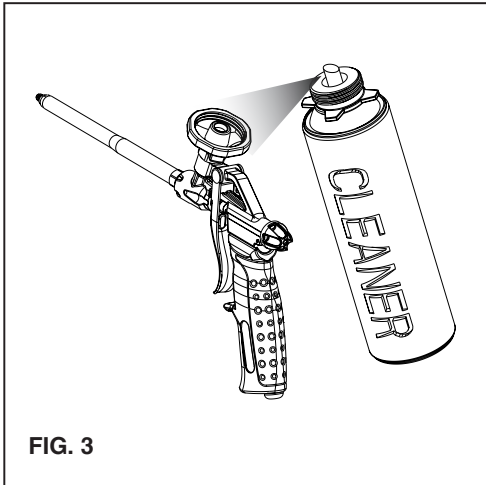
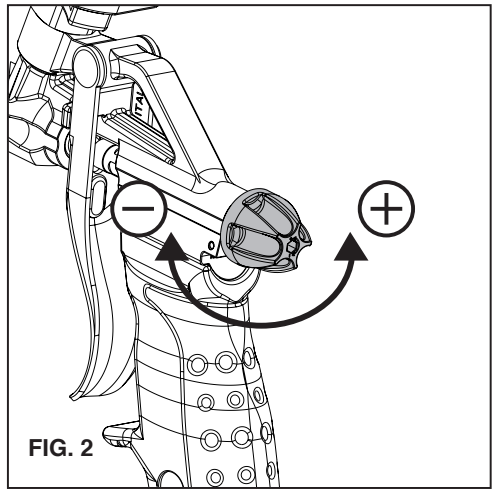
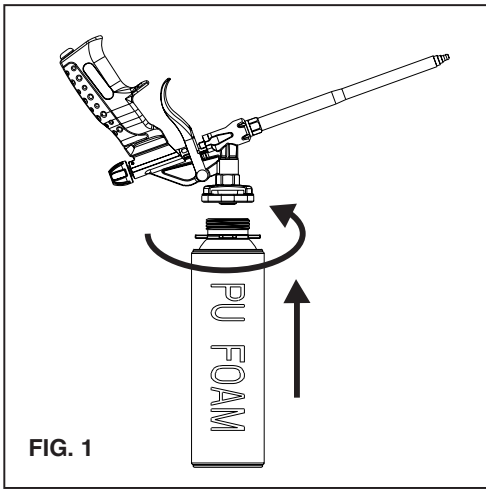


► Depending on the gun model, of nozzles are supplied: (A) and (B)



► Optional kits: (C) Snake - (D) Flat Extrusion










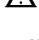

1. PRODUCT IDENTIFICATION

- 1) Body of the gun
- 2) Control trigger
- 3) Handle
- 4) Material control knob
- 5) Barrel
- 6) Nozzle
- 7) Basket valve for pressurized canisters
- 8) Needle packing screw

1.1 STORAGE

The gun is supplied in a single carton box type KEB WHITE ST/B343, with low corrugation thickness of 2.8-3 mm; Store within a temperature range of -5°C to 45°C, in environments subject to a maximum humidity of 70%.

2. CAUTION

-  This symbol draws your attention to safety related issues. Read carefully the recommendations included and strictly comply with them.
-  Before using the gun read the instructions and strictly comply with them.
-  Before any repairs, maintenance or refilling, unscrew the polyurethane or cleaning agent canister.
-  In the event of special repairs or maintenance, consult the gun retailer or specialised personnel for assistance.
-  Before performing any work on the gun, carefully read all safety instructions and warnings related to the material to be extruded.
-  Never turn the gun towards oneself, other people, animals or objects not involved in the work in progress.
-  During use, safety devices (individual protections) are to be worn on top of one's clothes, in compliance with the instructions in the product safety data sheet and this manual. Using safety glasses and gloves is recommended in any case

3. INTENDED AND FORBIDDEN USES

Intended use

- Extrusion of chemical products for sealing (PU foam, glues, etc.) contained in special pressurized canisters bearing indications of compatible use with the gun.
- Work in environments suitable for the products used, and therefore compliant with the product data sheet and safety data sheet.
- Use of the gun in safe conditions, verifying all specifications before use and implementing all measures required in this manual, in accordance with best practices and any regulations applicable to the relative work place.

Forbidden use


- Extrusion of any product other than that intended in design and with reference to the product safety data sheet.
- Any use other than the extrusion of the specified products.
- Inhalation, ingestion, or use other than intended of the extruded chemical products.
- Use in potentially explosive atmospheres. Do not use products that generate potentially explosive situations
- Use of bulk materials
- Use of the gun without fully attaching and securing the pressurized canister.
- Never immerse the gun in solvents or acids.
- Use of the gun in poor maintenance conditions, when dirty or worn, or use of the gun if subjected to unauthorised or makeshift modifications.
- Use of products other than those specified in the technical data sheets of materials used to clean the gun.

4. START-UP

Before gun start-up and use, wear the recommended personal protective equipment:

- Safety gloves
- Safety goggles
- Suitable work clothes



-  Products with a polyurethane base are very aggressive and can damage the fabrics or surfaces of virtually all materials. Take great care to protect clothing and any objects from contact with these products.

4.1 Attaching canisters

- Activate the control trigger to ensure that the material adjustment knob (4) is not completely closed; if closed turn anti-clockwise to open.
- Shake the pressurized canister well in a horizontal position, then remove the plastic cap.
- Quickly attach the canister to the thread of the valve on your gun; a quick connection will prevent unwanted leaking of material; if any material leaks before attaching the canister, clean immediately using a suitable cleaning agent.
- Press the trigger for a couple of seconds to enable delivery of foam into the body of the gun and the barrel.
- The gun is now ready to use.

4.2 Removing canisters

- Turn the gun over as shown (Figure 1)
- Use the control trigger to discharge all residual material, disposing of the material in accordance with current legislation (never dispose of into the environment!).
- Keeping the gun in the same position, quickly unscrew the canister.
- Using the special cleaning liquid, clean the gun valve, nozzle and canister valve, collecting the residual fluid in a special container for disposal never dispose of into the environment.
- Within one minute, attach and tighten down a new canister after shaking it.

5. USE

Before using the gun, always check:

- That the material adjustment knob (4) is open
- To attach canisters, refer to point 4.1.
- Use the control trigger to activate the gun and start working.
- During breaks in work, do not disconnect the canister; the gun is constructed to be completely airtight. Always remove any residual material from the nozzle using a special cleaning agent. Always store the gun with canister connected in a vertical position (Figure 6).
- At the end of work, always keep a canister screwed onto the valve, and always store the gun in a vertical position (Figure 6).
- If one is planning on storing the gun for a long time, and only in this case, remove the material canister as described in point 4.2 and perform the required cleaning operations as stated in point 8.

5.1 Using extensions

Depending on the gun model, nozzles (A) and (B) are supplied (see figure on page 3)

Nozzle (A) is useful to increase the spray radius of the gun, to reach points further away or fill gaps; this nozzle also obtains a more uniform extrusion, and therefore can be used during normal operations, both as a single part or when cut into sections of shorter length.

To fit this nozzle, slide the tube over the barbed end of the nozzle.

Nozzle (B) is useful to reach small gaps, joints, holes, or narrow grooves, thanks to its tapered design.

To fit this nozzle, slide the conical tip over the end of the barbed nozzle.

SNAKE AND FLAT EXTRUSION KIT optional (see figure on page 3)

By replacing the standard nozzle with the special nozzle supplied in the Snake and Flat Extrusion kit, the following extensions can be used on all our guns (excluding model P100).

Standard nozzle replacement (to be performed without canister installed and without any residual material in gun)

- Use a suitably sized key to fit on the external key of the nozzle.
- Secure the gun body so that it cannot rotate (e.g. by means of a bench top vice)
- Unscrew the material adjustment knob as far as possible, then press or lock the control trigger in the open position (some material comes out of the gun)
- Apply sufficient pressure and unscrew the nozzle (this may require some force if this is the first time that the nozzle is replaced, as the factory installation of the nozzle includes the use of thread locking compound)
- Clean the thread of the barrel and standard nozzle to remove all residual sealant substances or strips of P.T.F.E.
- Save the standard nozzle for re-use in the future,
- Screw on the special nozzle on the barrel; we recommend using strips of P.T.F.E. or liquid P.T.F.E. to guarantee sealing efficiency of the thread
- Repeat the operations in reverse order to refit the standard nozzle onto the gun.

Snake kit (nozzle + flexible extension)

Aluminium tube (length 30 cm), which is flexible and maintains the applied shape. This is useful to reach areas that are

- Ⓒ difficult or not entirely accessible using the standard gun. To fit this kit connect the brass section attached to the tube to the threaded nozzle, making sure that it fits securely and fully onto the thread.

Flat Extrusion kit (nozzles + connector)

The Flat Extrusion kit includes a male threaded nozzle that can be joined to the 2.5 mm threaded connector for FE nozzles.

Ⓓ This is used for gluing special bricks and insulation panels.

To fit this kit, join the brass connector with tapered thread to the special threaded nozzle, taking care to attach it securely. After this the flat nozzle can be screwed onto the connector.

6. ADJUSTMENT

6.1 Adjustment of extruded material quantity

The rear knob (4) adjusts the quantity of material extruded from the gun. To achieve precise and clean results, we recommend adjusting the gun before use, testing results on a trial surface.

To adjust this quantity, proceed as follows: turn the material adjustment knob clockwise to gradually reduce the quantity of material extruded, through to the point when no material is delivered. Vice versa turn the handwheel anti-clockwise to gradually increase the quantity of material extruded (figure 2).

⚠ *On some models, the rear knob is not rigidly connected to the body of the gun, and therefore if unscrewed completely the knob will become detached from the gun! Take great care not to lose the spring and ball when the knob becomes detached, which even if not under pressure could cause abrasions! These components are also essential and must be re-installed.*

7. RESIDUAL RISKS

Harmful aerosols: these are mainly present during complete cleaning of the gun using the cleaning agent. The cleaning agents usually have an acetone base, which is harmful and flammable. When sprayed the user or others in the vicinity are exposed to the risk of inhaling or ingesting these aerosols, and if present in large quantities they may generate potentially explosive conditions. Always wear a protective mask when cleaning the gun, and use cleaning agents exclusively in well ventilated areas, collecting residual fluid in a container for disposal in accordance with current legislation in the country of use.

8. CLEANING AND ROUTINE MAINTENANCE

Cleaning and routine maintenance

This gun is engineered to be hermetically sealed. This will allow for minimal cleaning of the gun. Read this section carefully to determine when and how to clean your gun and keep it in good working order.

Please note that improper cleaning is the major cause of malfunctioning foam guns and is not covered under warranty. The cleaner will turn the residual foam in the gun into glue. An incomplete cleaning procedure will lead to one or more of the following results: unable to pull trigger, no foam flow between can and gun, and/or leaking from the nozzle.

When the gun is not in use, close the product flow by turning the knob clockwise (fig 2) and store the gun with the can of foam attached, in the upright position (fig 6)

8.1 External cleaning

Clean the nozzle (tip) immediately after every use.

Clean the nozzle and the basket valve when changing canisters.(fig3)

Attach a fresh can of foam within 1 minute after cleaning the basket valve.

8.2 Internal cleaning

Only perform a thorough cleaning of the inside of the gun when the foam flow is slowing down or when you are about to store the gun for a long time. There is no need to internally clean the gun every time the foam can is changed.

8.3 Cleaning procedure

Place gun upside down and pull the trigger until foam stops streaming out. Unscrew the gun from the canister (fig 1).

Spray nozzle and valve with cleaning agent (fig 3).

Open up the product flow to allow clear passage of cleaner through the gun (fig 2).

Attach canister with cleaner (fig 4)

Pull the trigger and allow the cleaner to flow until completely clear cleaning fluid comes out of the gun. This will take at least 10 to 15 seconds. Please note that this cleaner needs to be collected and disposed of following local regulations.

Keep the cleaner attached to the gun and let it "soak" for a minimum 30 minutes.

Pull trigger again and spray cleaner for a minimum of 5 seconds.

Then, turn the gun upside down and spray until only air comes out.

Detach the cleaner can and spray nozzle and valve again to remove any residual material.

If the gun is to be used within the next couple of days, attach new foam can within 1 minute after cleaning.

If the gun is not going to be used but stored, pull the trigger and shake out the remaining cleaner and close the product flow (fig 2)

8.2 Needle packing adjustment (only on models where this packing is adjustable)

The use of products with different viscosities may cause product to leak from the needle packing (8). In this case, proceed immediately with cleaning to remove all material using the proper cleaning agent. With the needle still inserted, carefully tighten the packing screw using a fixed 6 mm key, and check afterwards that the needle is free to move; if necessary lubricate the needle immediately upline of the packing screw.

9. SPECIAL MAINTENANCE

- **Replacement of needle packing:** after intensive or prolonged use, the material of the needle packing may become worn; in this case clean the gun immediately and contact your retailer for assistance.
- **Replacement of internal needle:** after prolonged use or possible damage following an accident, material may leak due to wear or damage of the internal needle. In this case clean the gun immediately and contact your retailer for assistance.
- **Replacement of nozzle:** after intensive or prolonged use, material may leak from the nozzle; in this case clean the gun immediately and contact your retailer for assistance.

10. FAULTS AND BREAKDOWNS

In the event of faults and/or breakdowns of gun components, do not try to repair them. Do not use the gun with temporary repairs or damaged or worn out components, or with non-original components used as a replacement.

Repairs shall be carried out by authorized workshops or directly by the manufacturer. Contact your dealer.

11. TROUBLESHOOTING

FAULTS	CAUSES	CORRECTIVE ACTION
After fitting the canister and pressing the control trigger, nothing happens	Supply failure	Check setting of the material adjustment handwheel; check to ensure if the valve seal on the canister is clean; ensure that the canister is not empty or lost pressure
Irregular or slow extrusion	Material adjustment handwheel not sufficiently open or dirty	Turn the material adjustment handwheel anti-clockwise; clean the complete interior of the gun thoroughly
Loss of pressure and extrusion power of the gun	Canister empty or not attached correctly	Tighten the canister fully down; ensure that there is no residual material inside; replace the canister
The gun does not work properly	Damaged or dirty components	Carry out cleaning and ordinary maintenance operations. If the issue is due to damaged components, contact your dealer

12. WARRANTY

The guns and their tools are covered by the warranty, if not subject to wear and tear, in compliance with European regulations. All components deemed faulty will be replaced by our technical department with no charges, only if returned without tampering or stains and if delivered DDP to our plant. The manufacturing company is not liable for personal injuries or damage to property due to improper use, or actions expressly forbidden in this manual. For this reason, this product should be used exclusively after reading and fully understanding the contents of these instructions. The sale of disassembled, altered or incomplete guns or air sprays (upon specific request of the client) is not covered by warranty as our technical department is unable to test and approve them. Given the type of product and specifications in this manual, the return of guns that are unclean or clogged with hardened materials will not be accepted, due to the impossibility of repairs. Further claims are excluded, unless otherwise covered by applicable national legislation, and in particular P.M.T. declines all liability for any defects or damage, whether accidental, consequential, direct or indirect, losses or expenses incurred in relation to possibility/impossibility of product use for any reason.